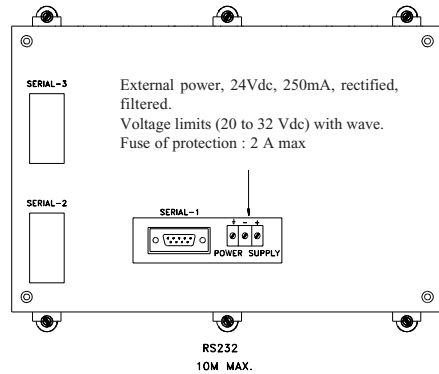


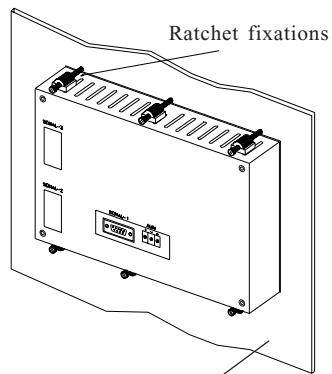
**Connection :**



SERIAL-1 SUBD 9PTS MALE				OPTIONAL SERIAL-2 SUBD 9PTS FEMALE				OPTIONAL SERIAL-3 SUBD 9PTS FEMALE			
PIN	RS232			PIN	RS422	RS485	CANBUS	PIN	RS422	RS485	CANBUS
1				1				1			
2	RXD			2				2			
3	TXD			3	RX-			3	RX-		
4				4	RX+			4	RX+		
5	GND			5	GND	GND	GND	5	GND	GND	GND
6				6				6			
7				7	TX-	TRX-(B)	CANL	7	TX-	TRX-(B)	CANL
8				8	TX+	TRX+(A)	CANH	8	TX+	TRX+(A)	CANH
9				9				9			

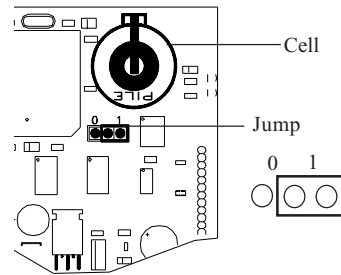
With RS422, RS485, and CAN module, jump of validation for final resistances (120Ω).  
By default : Selected resistance.

**Mounting :**



The panel surface must be flat and rigid to ensure tightness

**Mounting of the cell (optional) :**



Cell CR2450 : 3V 500mA  
1- open behind panel  
2- Insert the cell in this rest  
Verify polarity  
3- Put jump position 1  
**CAUTION !!**  
Version without the cell : jump position 0

**Personnalisable labels :**

F7 to F12 keys can be personnalisable.

Use personnalisable blank pre-coutlabel supplied and write new informations.

- Open behind panel
- Remote label already placed down left.
- Introduce new label and close behind panel.

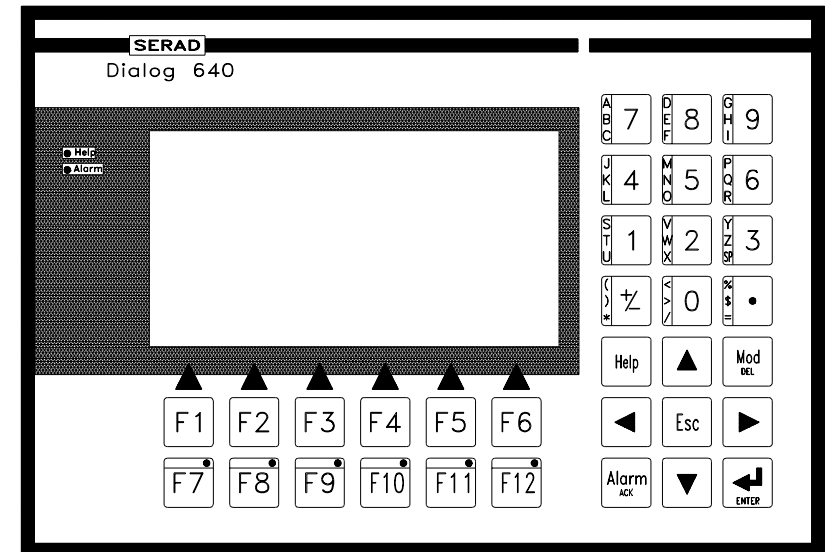
**CAUTION !!** Turn off all power supplying of this equipement.

We reserve ourselves the right for modified this document without notice.

**OPERATOR TERMINAL**

**DIALOG 640**

INSTALLATION GUIDE



**SERAD** S.A  
271 Route des crêtes  
44440 TEILLE-FRANCE

Phone : 33.2.40.97.24.54  
Fax : 33.2.40.97.27.04  
E-Mail : info@serad.fr

**Display :**

- Monochrome LCD display with CFL backlight
- Display area 122x66mm
- Standart display , reverse, flashing
- ASCII protocol
- Resolution (pixels) with graphic mode : 240x128
- 4 characters size with text mode can be simultaneously used :
  - 3x4 mm 16 lines x 40 characters
  - 4x7 mm 9 lines x 30 characters
  - 12x20 mm 6 lines x 20 characters
  - 16x22 mm 4 lines x 15 characters

**Keyboard :**


- 33 keys with tactile feelback
- 6 dynamic function keys
- 6 windows for re-editing labels
- Control and scrolling keys
- Help key
- Alarm key
- Numerical and alphanumerical keypad
- 8 state visualization leds.
- Buzzer

**Performances :**

- 16 bits processor
- 512 Kbits flash memory
- 128 Kbits non-volatile RAM
- RS232 serial communication port
- Optional RS422 or RS485 serial communication port
- Optional fieldbus : CANBUS, PROFIBUS, INTERBUS...

**Technical features :**

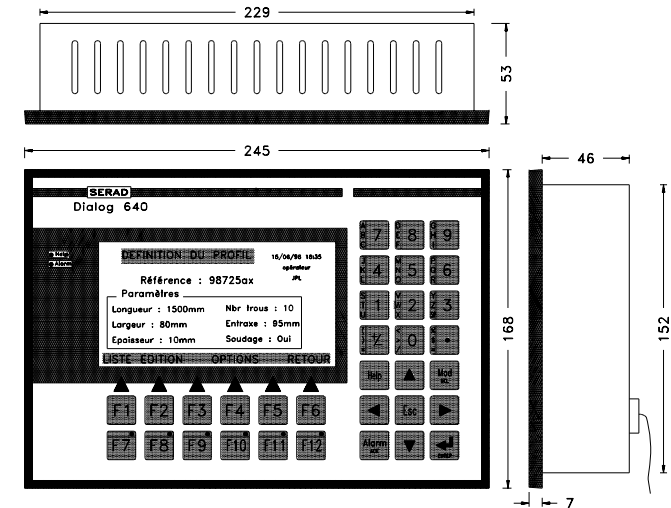
- Supply voltage 24Vdc
- 6W power requirement
- 0 to 45°C operating temperature
- Storage -20 à 70°C temperature
- Front panel protection IP65



**CAUTION**

- This equipment must be installed only by qualified electrical personnel.
- Supply power 24 VDC, protected with a fuse 2 A max.
- Turn off power supplying this equipment before working on or inside equipment.

**Dimension :**



**Panel cut-out :**

